

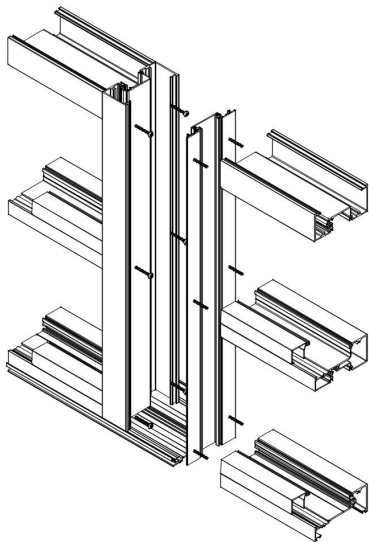
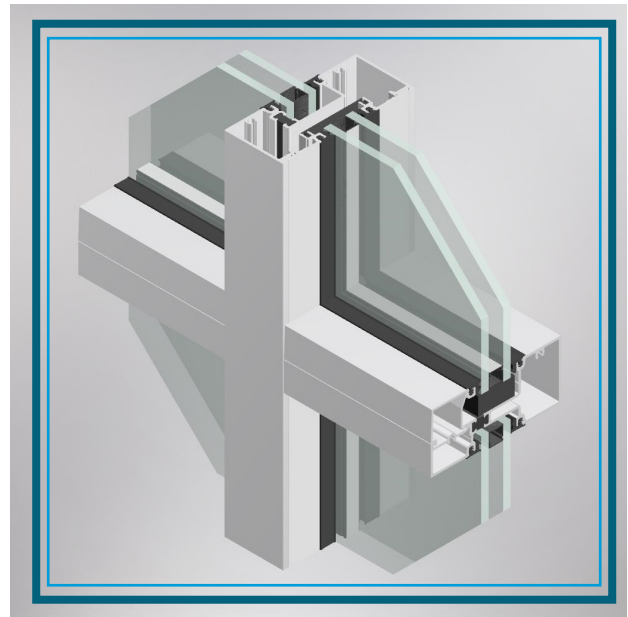


PITCO ARCHITECTURAL METALS, INC.

## TMS-114T (+)

### Thermal center set storefront

This new system joins our family of storefronts to provide additional functionality and higher thermal performance over our standard system. Designed for 1" infill with adaptors and gasket options for 1/4" to 1 1/8". This will allow a multitude of options to enhance your project. Seamless integration with our standard, monumental and thermal doors.

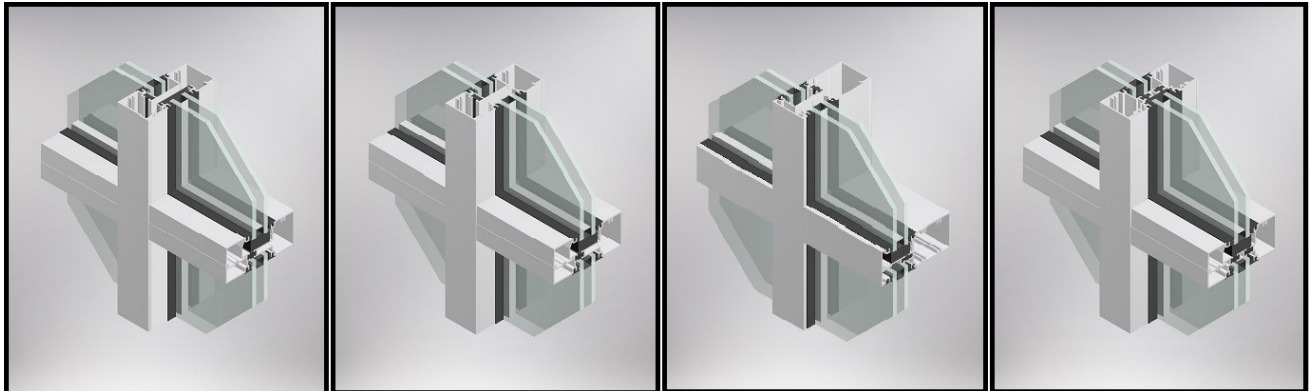


#### Features:

- 2" x 4 1/2" nominal overall dimension
- Screw spline and shear block assembly
- Inside and outside set options
- Optional 4 1/2" tall thermal sill
- 2-pc 4 1/2" inside and outside 90° corners
- Standard and high performance subsills
- 2-pc thermal head receptor for standard 1/2" movement and an extended movement option for up to 1"
- Anodize class I and II
- Finishes meeting AAMA 2605 requirements
- Extended material and finish warranties are available



PITCO ARCHITECTURAL METALS, INC.

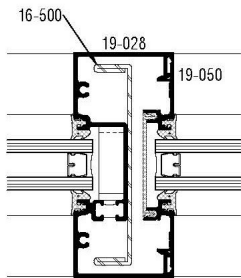


	TMS-114T (+)	TMS-114T	TMS-114T UF	TMS-114XT
ASTM E 330	30 PSF *	30 PSF	30 PSF	30 PSF
ASTM E 283	.025 cfm/ft <sup>2</sup> @ 6.24 PSF *	.025 cfm/ft <sup>2</sup> @ 6.24 PSF	.025 cfm/ft <sup>2</sup> @ 6.24 PSF	.030 cfm/ft <sup>2</sup> @ 6.24 PSF
ASTM E 331	0 @ 10 PSF *	0 @ 10 PSF	0 @ 10 PSF	0 @ 10 PSF
AAMA 501.1	0 @ 10 PSF *	0 @ 10 PSF	0 @ 10 PSF	0 @ 10 PSF
AAMA 1503	CRF 54 <sup>1</sup>	CRF 58	CRF 61	CRF 67
AAMA 1503	U Value .39 <sup>1</sup>	U Value .40	U Value .41	U Value .33
NFRC 100	U Value .36	U Value .39	U Value .40	U Value .31
NFRC 200	SHGC .24	SHGC .25	SHGC .26	SHGC .25
NFRC 500	CR 37	CR 31	CR 40	CR 55

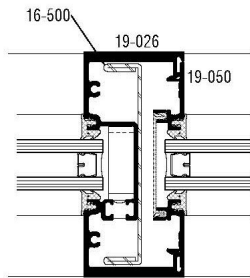
<sup>1</sup> 1" IGU (Solarban 70 XL, 1/2" argon filled space with high performance spacer, 1/4" glass)

<sup>1</sup> 1" IGU (Solarban 60 LowE, 1/2" argon with aluminum spacer, energy advantage lowE)

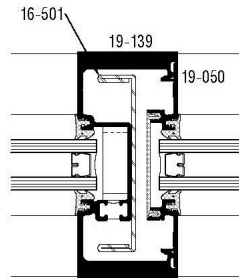
\* Estimated, testing not complete



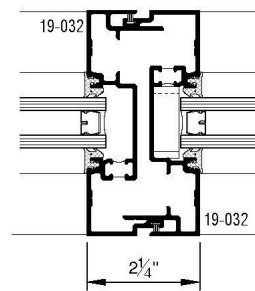
STANDARD MULLION w/  
OPTIONAL STEEL



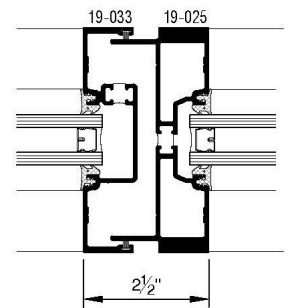
MEDIUM WALL  
MULLION  
w/ OPTIONAL STEEL



HEAVY WALL MULLION  
w/ OPTIONAL STEEL



EXPANSION MULLION



HEAVY WALL  
EXPANSION MULLION